

Three
Phase
Direct Connect
Meter



OPTIONAL EXTRA



FEATURES & BENEFITS

- TOU Tariff including Currency
- 30 Minute Load Profiling of kW and kVA
- Stand alone or split prepayment meter, significantly reducing the possibility of fraud and bypassing
- Programmable operating modes: Prepaid, Post-paid metering or Energy/Currency mode
- Programmable software power limit
- Tamper detection
- Significant Reverse Energy (SRE) detection
- Commissioning/Decommission feature
- Can be integrated into AMR/AMI system with PLC, RF mesh, GPRS and Ethernet modules as a smart meter product

TECHNICAL SPECIFICATIONS

- Three phase, 4 wire, direct connected energy meter
- Credit store with decrement-on-usage
- Credit entry mechanism: keypad to input encrypted numbers (Prepayment mode)
- STS Compliant
- Three pole latching contactor 120A

Electrical Rating

- Nominal voltage: 230 Volts (-50% ~ +20%)

Burden

- Voltage circuit: <2W/10VA@230V
- Current circuit: <2.5VA@1b
- Frequency: 50Hz
- Current range: 10(100)A
- Protective class (according to IEC 62052-11) Class II (double insulated)

Measurement

- Import and export kWh, kvarh & kVAh
- Vrms, Irms, frequency & power factor

Environment

- Operating temperature: -25°C to +70°C
- Storage range: -40°C to +80°C
- Relative humidity: 95% non-condensing
- Ingress protection: IP54 (without suction)

Environment

- Operating temperature: -25°C to +70°C
- Storage range: -40°C to +80°C
- Relative humidity: 95% non-condensing
- Ingress protection: IP54 (without suction)

Battery

- Replaceable Li-SOC12 battery, 1000 mAh, 3.6V with life of 10+ years and 5 years continuous duty at 25°C
- Super capacitor (optional, with 3 days capability, at least)

Event Record

- Selectable event record with date & time
- Multi-Event records
- Magnetic tamper detection

Communication

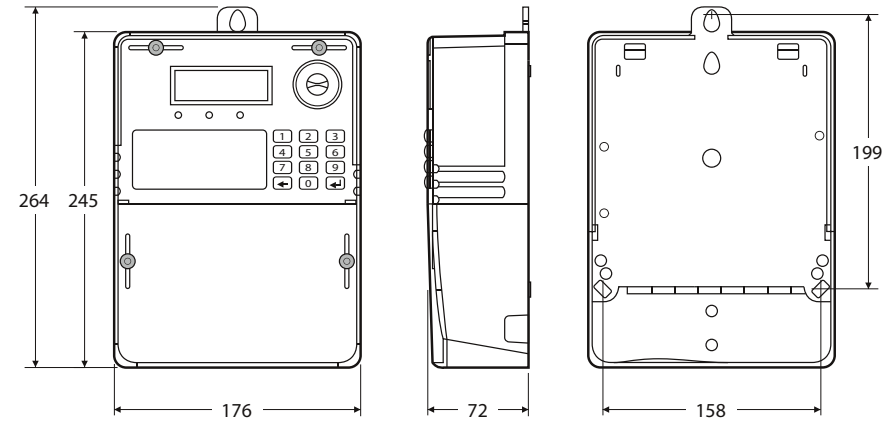
- Optical port according to IEC 62056-21
- PLC or MBUS communication with UIU with a distance of up to 130 meters
- Two-way communication interface and plug in play module; support RS485, GPRS, RF mesh, Ethernet & PLC
- Standard interrogation port: 8-pin interface according to ESKOM DISSCAA9

LCD DISPLAY

- Large LCD display with 8-segment digitals
- 10mm X 5mm, 8 integers (4 decimals)
- 3 Digits for ID display: 5mm X 3mm



SCHEMATIC



CONNECTION DIAGRAM

